

PRODUCT INFORMATION PACKET

Model No: 5KC49SN8060T

Catalog No: C1273

1.5 HP Aeration Fan Motor, 1 phase, 3600 RPM, 115/230 V, 143T Frame, TENV
Aeration Fan Motors





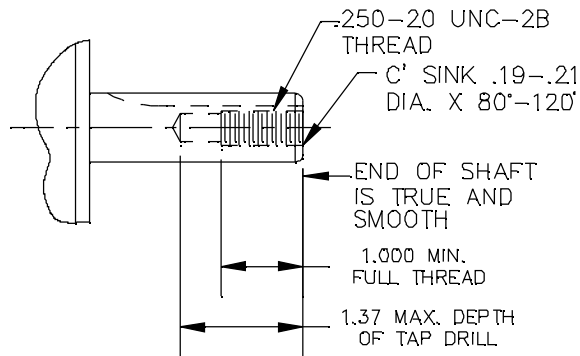
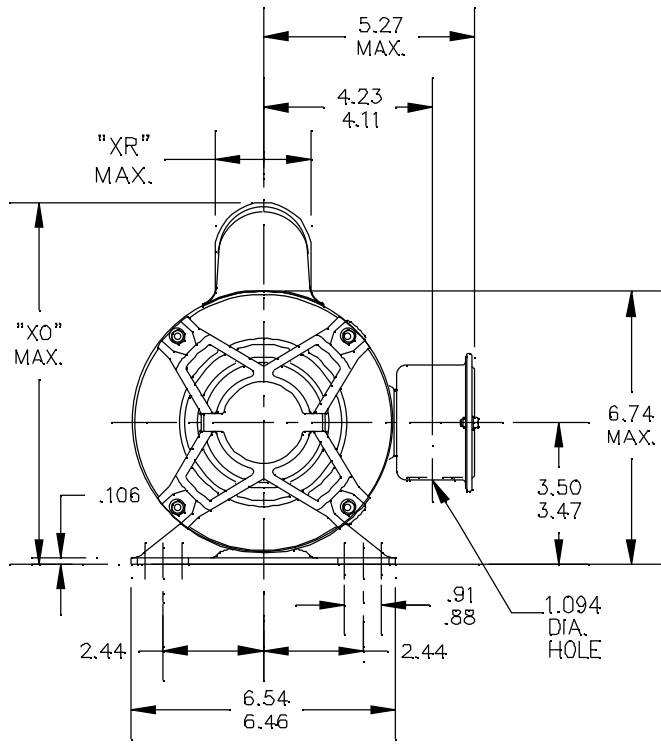
Nameplate Specifications

Output HP	1.50 Hp	Output KW	1.1 kW
Frequency	60 Hz	Voltage	115/230 V
Current	16.4,8.2 A	Speed	3450 rpm
Service Factor	1.3	Phase	1
Efficiency	74 %	Power Factor	0
Duty	Continuous	Insulation Class	B
KVA Code	H	Frame	143T
Enclosure	Totally Enclosed Non Ventilated	Thermal Protection	AUTO
Ambient Temperature	40 °C	Drive End Bearing Size	6205
Opp Drive End Bearing Size	6203	UL	Recognized
CSA	Yes	CE	N

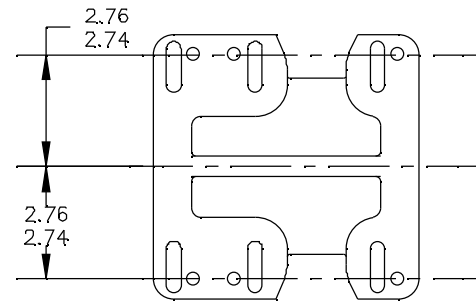
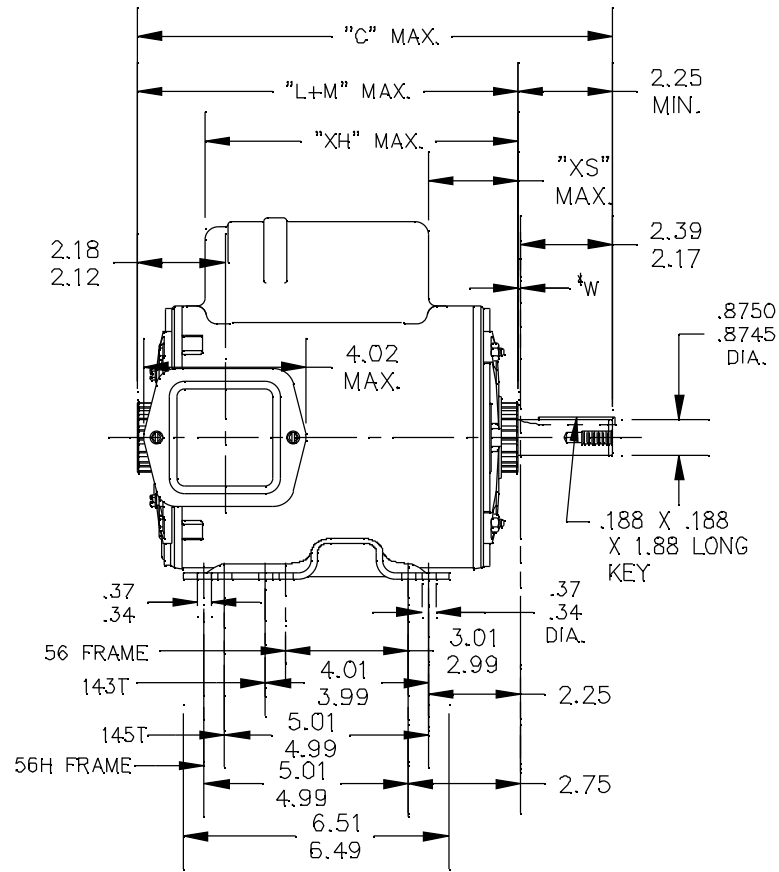
Technical Specifications

Electrical Type	Capacitor Start Induction Run	Starting Method	SM
Poles	2	Rotation	Counterclockwise/Clockwise
Mounting	Rigid Base	Motor Orientation	ANY
Drive End Bearing	BALL	Opp Drive End Bearing	Ball
Frame Material	Rolled Steel	Overall Length	12.28 in
Frame Length	7.68 in	Shaft Diameter	0.880 in
Shaft Extension	2.25 in		
Connection Drawing	52A105383BA	Outline Drawing	52A109621P1

This is an uncontrolled document once printed or downloaded and is subject to change without notice. Date Created:03/11/2020



ENLARGED VIEW OF SHAFT EXTENSION



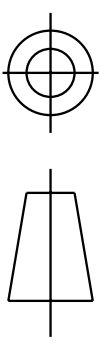
* W IS A VARIABLE CLEARANCE DUE TO VARIATIONS IN PARTS AND ASSEMBLY

ALL DIMENSIONS ARE IN INCHES

1	KC	49	143T 145T	12.28	10.01	8.30	8.95	2.40	2.64		7.68
P	TYPE	RBC SIZE	NEMA FR.	"C"	"L+M"	"XH"	"XO"	"XR"	"XS"		MIN. SHELL

				TOLERANCES UNLESS SPECIFIED		REGAL-BELOIT CORPORATION		DRAWN M.A.M 05/13/94			
				DEC.	INCHES			CHK			
				.X	±0.1	TITLE		SCALE 1=1			
				.XX	±0.02			TENV - BEARING - WELDED BASE FMF - 40 FRAME REDESIGN (5KC49SN8060T)		REF	
3	REDRAWN IN DRAFT SIGHT NO CHANGES	PVR 10/16/12	PKG	.XXX	±0.005	FINISH				PREV	
2	TAPPING ADDED PER ISO9-1251	AMI 04/03/09		.XXXX	±0.0005			MAT'L.		FMF	
NO.	REVISION	BY & DATE	CHK	ANG	±1.0	CAD FILE				DRAWING NO.	
				RFP				52A109621		A	
				DIST							

THIS DRAWING IN DESIGN AND DETAIL IS OUR PROPERTY AND MUST NOT BE USED EXCEPT IN CONNECTION WITH OUR WORK ALL RIGHTS OF DESIGN AND INVENTION ARE RESERVED THIS IS AN ELECTRONICALLY GENERATED DOCUMENT - DO NOT SCALE THIS PRINT



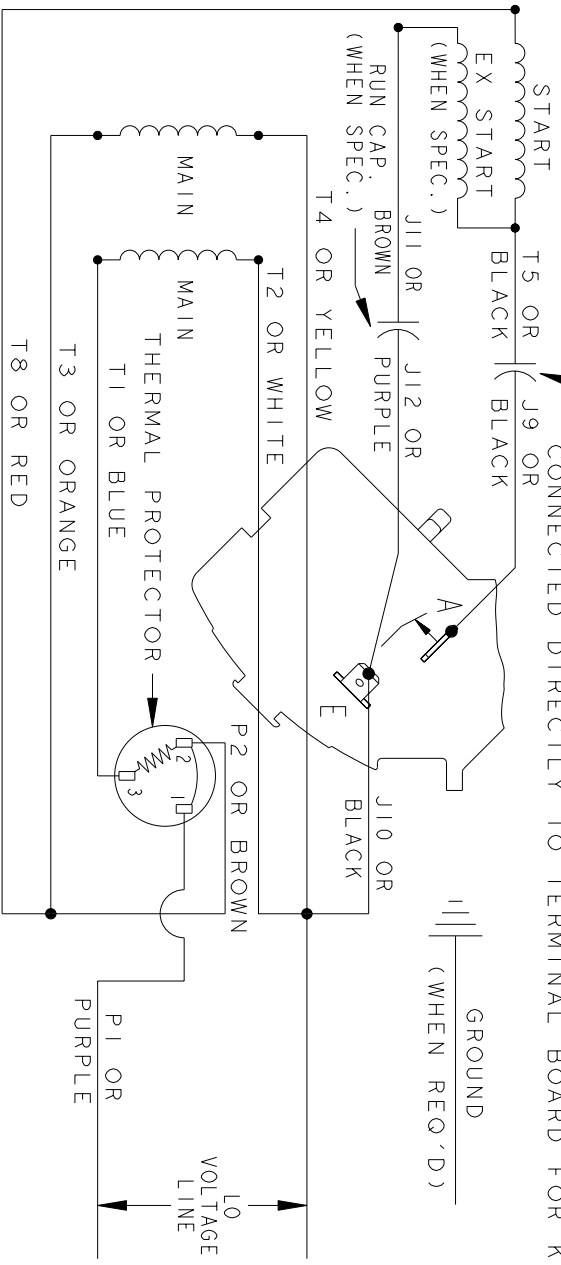
THIRD ANGLE PROJECTION

REVISIONS

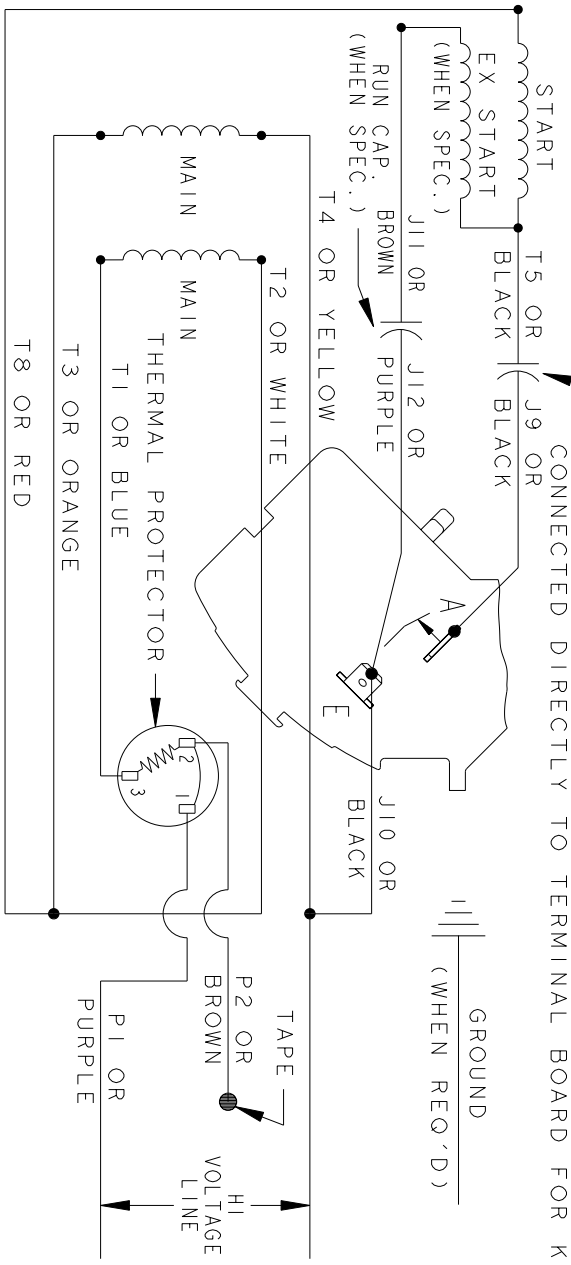
REV.	DESCRIPTION	DATE	APPROVED
7	UPDATED FORMAT	01/05/06	MAM

CCW/CW ROTATION - DUAL VOLTAGE
 TYPE KC, KH OR KCR - WITH THERMAL PROTECTOR

CAPACITOR AS SHOWN FOR KC MOTORS ONLY. LEAD T5 BLACK CONNECTED DIRECTLY TO TERMINAL BOARD FOR KH MOTORS.



CAPACITOR AS SHOWN FOR KC MOTORS ONLY. LEAD T5 BLACK CONNECTED DIRECTLY TO TERMINAL BOARD FOR KH MOTORS.



NOTE#1 - TO REVERSE ROTATION, INTERCHANGE T8 RED AND J10 BLACK LEADS.
 NOTE#2 - WHEN MORE THAN ONE CAPACITOR IS USED, CONNECT IN PARALLEL.
 NOTE#3 - 115D958ABP5 - HIGH CURRENT CONTACTS.

SWITCH (C) - 115D958ABP5, SWITCH (H) - 115D958AA (USE 115D958DA FOR EP)

REF. DIAG. - 113A327, 119A9352 & 52A102102 CONNECTION LABEL - 52X332912

SIGNATURES		DATE
MODEL	M.D.P.	06/29/87
DETAIL		
CHECKED		
ENGRG		
MFG		
QUALITY		
ISSUED	M.D.P.	12/11/97
FOR ADDITIONAL INFO REFER TO:		
APPLIED PRACTICES		
DIMENSIONS ARE IN INCHES		
MATERIAL	SOLID MODEL: 52A105383BA	



REGAL-BELOLT CORPORATION

TITLE CONNECTION DIAGRAM

FME: 30 FRAME SWITCH REDESIGN

52A105383BA

SCALE: 1.000 REF. No.: SHEET 1 of 1